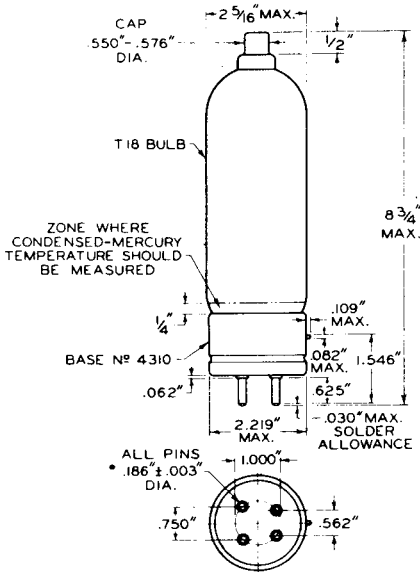


# HALF-WAVE MERCURY-VAPOR RECTIFIER

The Type 8008 has the same maximum ratings and operating conditions as Type 872-A/872, but its physical dimensions and base are different.

RCA Socket

Stock No. 9917



BOTTOM VIEW OF BASE

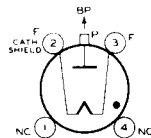
92C-6299

TUBE MOUNTING POSITION

VERTICAL: Base down.  
HORIZONTAL: No.

BOTTOM VIEW OF SOCKET CONNECTIONS

- Pin 1 - No Connection
- Pin 2 - Filament, Cathode Shield
- Pin 3 - Filament
- Pin 4 - No Connection
- Cap - Plate
- - Gas Type Tube





8008

8008

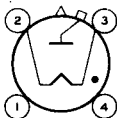
# HALF-WAVE MERCURY-VAPOR RECTIFIER

The 8008 is the same as the 872-A except for the following items:

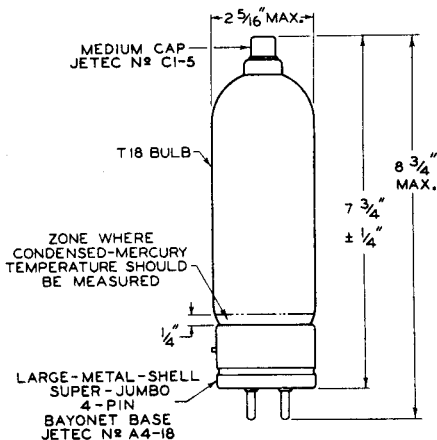
### Mechanical:

Maximum Overall Length . . . . .	8-3/4"	
Seated Length. . . . .	7-3/4" ± 1/4"	←
Weight (Approx.) . . . . .	6.8 oz	←
Base . . . . .	Large-Metal-Shell Super-Jumbo 4-Pin with Bayonet (JETEC No. A4-18)	←
Basing Designation for BOTTOM VIEW . . . . .	2P	←

Pin 1 - No Connection  
 Pin 2 - Filament, Cathode Shield



Pin 3 - Filament  
 Pin 4 - No Connection  
 Cap - Anode



92CM-6299R3

← Indicates a change.